



# Sun Class

## Wednesday 15<sup>th</sup> July 2020



### Physical Task

Today I recommend ... Option 1 Boogie Beebies - Videos that get younger children up and dancing with CBeebies presenters (EYFS)

<https://www.bbc.co.uk/programmes/b006mvsc>

Option 2 Disney 10 Minute Shakeups - 10 minute videos based on Disney films that count towards a child's 60 active minutes per day (EYFS to KS2)

<https://www.nhs.uk/10-minute-shake-up/shake-ups>

Today I recommend ... Disney 10 minute shake ups.

### Phonics Task

Today we are working on a.

Everyday Ruth Miskin are streaming three, short Speed Sounds lessons for children to watch at home every weekday on their YouTube channel. These are ideal for nursery, Reception and KS1 children (PHONICS) <https://www.ruthmiskin.com/en/find-out-more/parents/> Please access YouTube to try phonics with Ruth Miskin • Set 1 Speed Sounds 9.30 am daily. Use the link to access the live stream.

Some children may not have heard this sound before.

### Maths Task

Today we are working on: Add up with the Numberblocks

<https://www.bbc.co.uk/cbeebies/puzzles/numberblocks-adding-up-quiz?collection=numbers-and-letters>



Sun Class  
Wednesday 15<sup>th</sup> July 2020



Complete the addition calculations

 +  =

 +  =

 +  =

 +  =

 +  =

 +  =

English Task

This week we will be reading Little Red Riding Hood  
Here is a link on YouTube, if you do not have this book at home. <https://www.youtube.com/watch?v=GbzMC6qAzVU>



# Sun Class

## Wednesday 15<sup>th</sup> July 2020



### Activity:

Can you make your own basket to carry your shopping in?

What will you use to construct the basket?

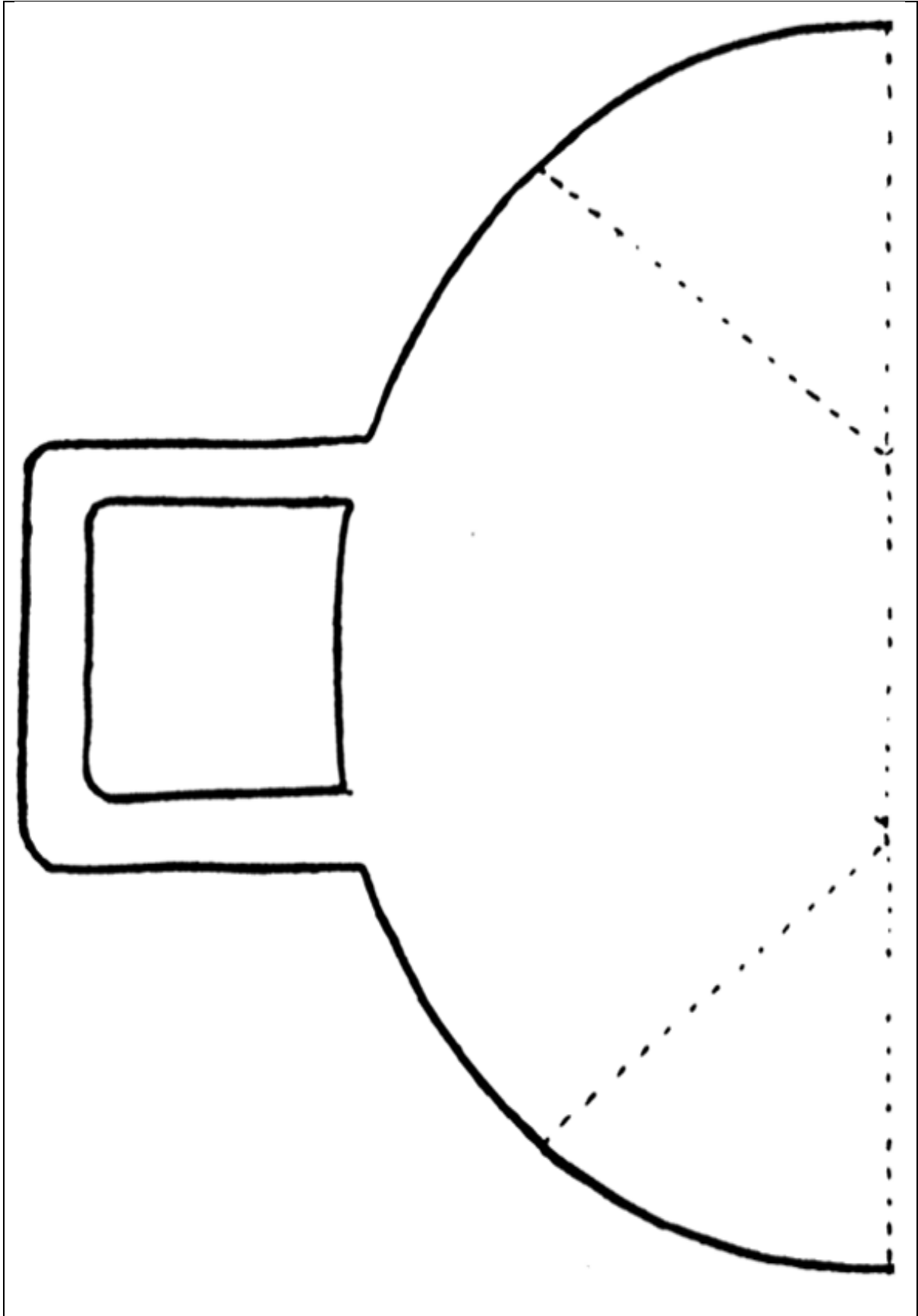
Will it be blue or white?

Will you put a handle on it?

I have added a template below to help out if you're stuck for ideas.



Sun Class  
Wednesday 15<sup>th</sup> July 2020





Sun Class  
Wednesday 15<sup>th</sup> July 2020

Wednesday RE Task

It is our last RE task for the year. We are fast approaching Reception.

Activity: I would like you to think of anything you *hope* your new class will be like.

Can you draw a picture you in your new class?

What else will you draw with you in the classroom?

Will your friends be there?

Will you be playing with Lego or perhaps in our writing area?

My new class



# Sun Class

## Wednesday 15<sup>th</sup> July 2020

### Daily Prayer to practise and learn

This week please practise our morning prayer:

O my God, you love me  
you're with me night and day  
I want to love you always  
in all I do and say  
I'll try to please you, Father,  
Bless me through the day. Amen

### Daily Music Task

A nursery rhyme/ song

<https://www.bbc.co.uk/cbeebies/watch/playlist-number-raps?collection=numbers-and-letters#playlist>

Learn some new raps to help you remember the numbers.



### Daily Something Extra you could try...

Activity:

<https://www.bbc.co.uk/games/embed/jigsaw-littleredridinghood?exitGameUrl=https%3A%2F%2Fwww.bbc.co.uk%2Fcbeebies%2Fpuzzles%2Flittle-red-riding-hood-jigsaw-game>

If you are using the CBeebies for Maths and Music today there also some great puzzles, from easy to hard.



Sun Class  
Wednesday 15<sup>th</sup> July 2020

